

# Technical data sheet



## Product features

### Cooking range combined with electric convection oven GN 1/1 - 4x burner

|              |                 |          |
|--------------|-----------------|----------|
| <b>Model</b> | <b>SAP Code</b> | 00002052 |
|--------------|-----------------|----------|



- Device type: Combined unit
- Power consumption of the zone 1 [kW]: 3,6
- Power consumption of the zone 2 [kW]: 3,6
- Power consumption of the zone 3 [kW]: 3
- Power consumption of the zone 4 [kW]: 3
- Type of internal part of the appliance 1 (eg oven): Electric
- Type of internal part of the appliance 2 (eg oven): Hot air
- Protection of controls: IPX4
- Material: AISI 304 top plate, AISI 430 cladding

|                            |                                |                                                           |          |
|----------------------------|--------------------------------|-----------------------------------------------------------|----------|
| <b>SAP Code</b>            | 00002052                       | <b>Power consumption of the zone 1 [kW]</b>               | 3,6      |
| <b>Net Width [mm]</b>      | 658                            | <b>Power consumption of the zone 2 [kW]</b>               | 3,6      |
| <b>Net Depth [mm]</b>      | 609                            | <b>Power consumption of the zone 3 [kW]</b>               | 3        |
| <b>Net Height [mm]</b>     | 900                            | <b>Power consumption of the zone 4 [kW]</b>               | 3        |
| <b>Net Weight [kg]</b>     | 65.00                          | <b>Type of internal part of the appliance 1 (eg oven)</b> | Electric |
| <b>Power electric [kW]</b> | 3.130                          | <b>Type of internal part of the appliance 2 (eg oven)</b> | Hot air  |
| <b>Loading</b>             | 230 V / 1N - 50 Hz             | <b>Width of internal part [mm]</b>                        | 548      |
| <b>Power gas [kW]</b>      | 13.200                         | <b>Depth of internal part [mm]</b>                        | 360      |
| <b>Type of gas</b>         | Natural gas,<br>propane butane | <b>Height of internal part [mm]</b>                       | 338      |
| <b>Number of zones</b>     | 4                              |                                                           |          |

# Technical data sheet



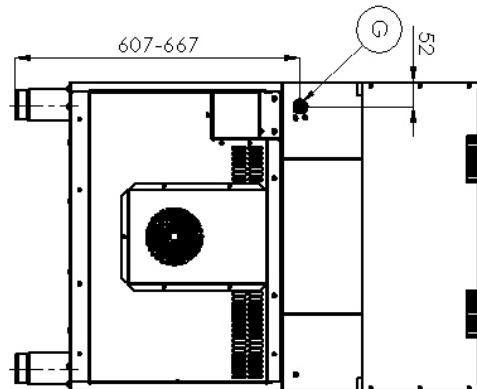
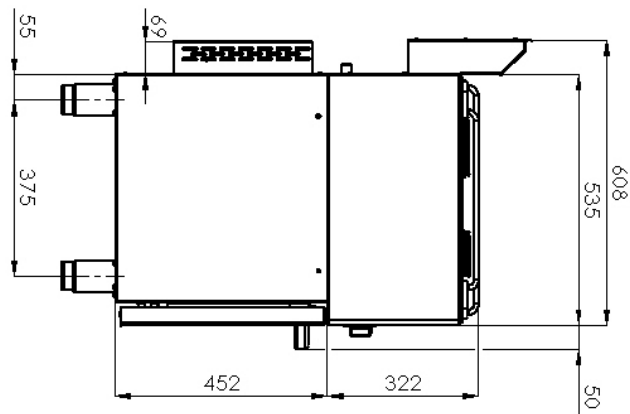
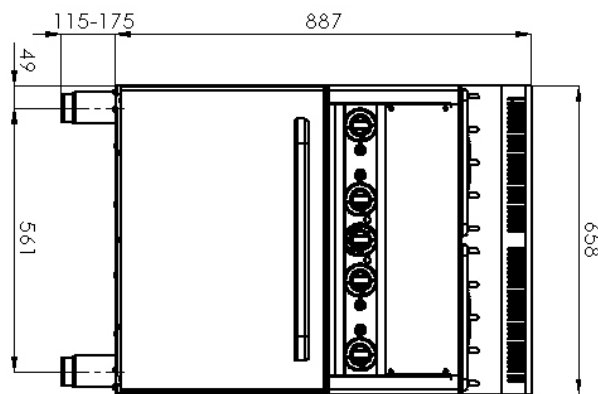
Technical drawing

Cooking range combined with electric convection oven GN 1/1 - 4x burner

Model

SAP Code

00002052



# Technical data sheet



## Product benefits

### Cooking range combined with electric convection oven GN 1/1 - 4x burner

Model

SAP Code

00002052

1

#### Hygienic moldings of the top plate

absence of sharp corners and edges (potential places where dirt could stick)  
smooth transitions

- easy quick cleaning

2

#### Hot air oven

hot air baking  
high capacity and variability  
all-stainless design

- suitable for meat, fish, baked pasta, white meat, sweet pastries
- long service life
- easy to clean

3

#### Degree of protection of the control elements IPX4

maintenance-free system  
resistance to splash water  
long life

- savings on service interventions
- greater job security for staff

4

#### All-stainless design

long life  
resistance of a ground steel plate with a thickness of 10 mm

- savings on service interventions
- easy cleaning and maintenance of equipment

5

#### Safety element - thermocouple

safe service for staff  
there is no unnecessary gas leakage  
long life

- savings on service interventions
- easier and faster operation

# Technical data sheet



## Technical parameters

### Cooking range combined with electric convection oven GN 1/1 - 4x burner

Model

SAP Code

00002052

**1. SAP Code:**

00002052

**2. Net Width [mm]:**

658

**3. Net Depth [mm]:**

609

**4. Net Height [mm]:**

900

**5. Net Weight [kg]:**

65.00

**6. Gross Width [mm]:**

705

**7. Gross depth [mm]:**

725

**8. Gross Height [mm]:**

1120

**9. Gross Weight [kg]:**

72.00

**10. Device type:**

Combined unit

**11. Construction type of device:**

With substructure

**12. Power electric [kW]:**

3.130

**13. Loading:**

230 V / 1N - 50 Hz

**14. Power gas [kW]:**

13.200

**15. Type of gas:**

Natural gas, propane butane

**16. Protection of controls:**

IPX4

**17. Material:**

AISI 304 top plate, AISI 430 cladding

**18. Indicators:**

running and heating the oven

**19. Worktop material:**

AISI 304

**20. Worktop Thickness [mm]:**

0.80

**21. Number of zones:**

4

**22. Power consumption of the zone 1 [kW]:**

3,6

**23. Power consumption of the zone 2 [kW]:**

3,6

**24. Power consumption of the zone 3 [kW]:**

3

**25. Power consumption of the zone 4 [kW]:**

3

**26. Number of power control stages:**

6

**27. Safety thermostat up to x ° C:**

360

**28. Adjustable feet:**

Yes

# Technical data sheet



Technical parameters

## Cooking range combined with electric convection oven GN 1/1 - 4x burner

Model

SAP Code

00002052

**29. Number of burners/hot plates:**

4

**34. Width of internal part [mm]:**

548

**30. Type of gas cooking zones:**

Powerfull

**35. Depth of internal part [mm]:**

360

**31. Oven Type:**

electric hot air

**36. Height of internal part [mm]:**

338

**32. Type of internal part of the appliance 1 (eg oven):**

Electric

**37. Maximum temperature of the inner chamber [°C]:**

300

**33. Type of internal part of the appliance 2 (eg oven):**

Hot air

**38. Minimum temperature of the inner chamber [°C]:**

50